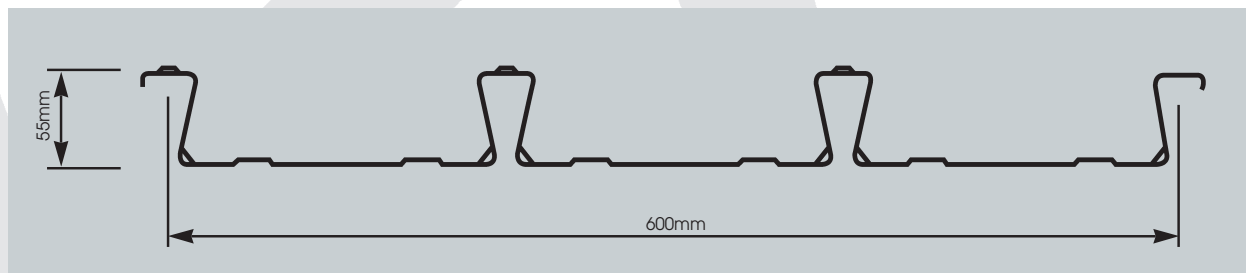


**WARNING:
ADVERT
CONTAINS STRONG
LANGUAGE.**

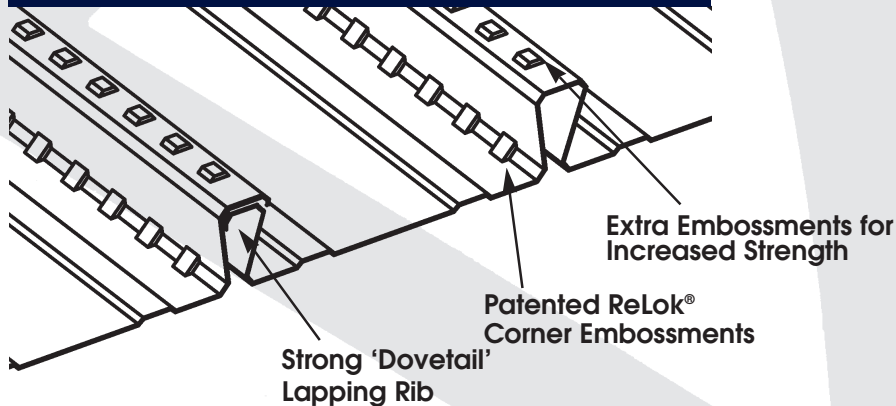
RF55[®] (ReFlor 55) is the latest offer in Fielders huge range of KingFlor steel formwork solutions.... And there's more to Fielders new RF55[®] than meets the eye. Patented technology makes RF55[®] the strongest steel formwork profile in Australia compared to similar decks.

Take a closer look –

- The robust lapping rib of RF55[®] resists deflection under construction loads providing spans over 3.3 metres.
- ReLok[®] embossments developed in conjunction with the University of Western Sydney ensure a greater shear capacity of the slab.



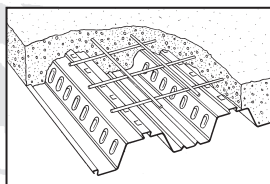
RF55[®] Features



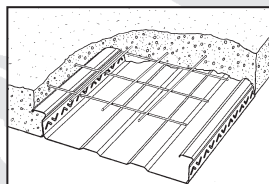
Fielders KingFlor Designer 2
Software now available
online www.fielders.com.au



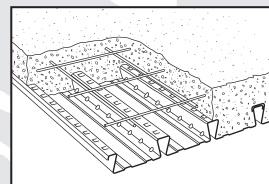
KingFlor Designer now
includes Concrete frame
design.



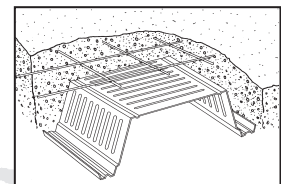
KF70[®]



KF57[®]



RF55[®]



CF210



OFFERING SOLUTIONS FOR TOMORROW

Fielders Australia Pty Ltd. Freecall: 1800 182 255 • Email: info@fielders.com.au • Web: www.fielders.com.au • Adelaide • Melbourne • Sydney • Perth • Darwin • Mildura

* ReLok[®] is a registered trade mark of the University of Western Sydney.

KINGFLOR[®]